

# Harvia Legend series



The Harvia Legend woodburning stoves give you the ultimate sauna experience. The black steel frame has a mighty amount of stones inside, and as they heat up, you get a magnificent sauna bath even at a lower temperature. The large number of stones ensures good heat, even if the fire dies down in between.

The Legend stoves have a modern grate structure that enables the wood to burn more efficiently and cleanly. The smaller than usual safety distances from the side and back surfaces to burning materials enable you to locate the benches more freely. The Legend stoves can be equipped with a pipe-mounted water heater.

**HARVIA**  
Natural well-being.



## Harvia Legend 150

The Harvia Legend 150 offers a comfortably moist sauna bath for a smaller sauna. The stove is a treat for the eye and for the sauna bather. The Harvia Legend 150 is equipped with a cast-iron glass door, allowing the warm glow of the fire to complement the sauna atmosphere. The steel frame has adjustable legs.

The stove is suitable for sauna rooms sized 5–15 m<sup>3</sup> and the maximum amount of stones is 120 kg. Dimensions: diameter 530 mm, height 740 mm.



## Harvia Legend 240

The Harvia Legend 240 is an excellent choice for a medium sized sauna. It is equipped with a cast-iron glass door, allowing the warm glow of the fire to complement the sauna atmosphere. The stove body and the steel frame have adjustable legs.

The stove is suitable for sauna rooms sized 10–24 m<sup>3</sup> and the maximum amount of stones is 200 kg. Dimensions: diameter 600 mm, height 830 mm.

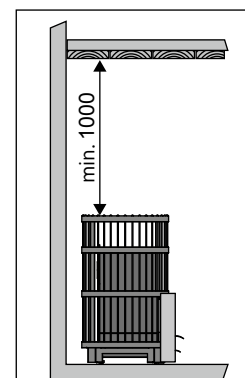
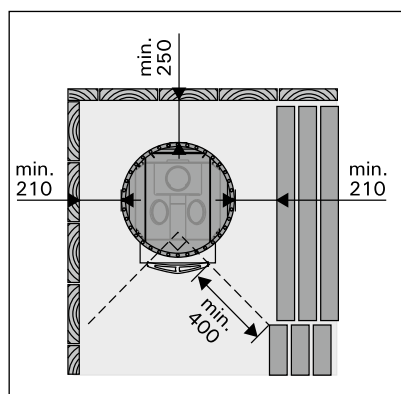


## Harvia Legend 300

The Harvia Legend 300 gives a mighty bath for medium sized or large saunas. The stove comes with a large and stylish steel-framed glass door. The fair-sized firing chamber can take even bigger firewood, with the maximum length of 47 cm. The stove body and the steel frame have adjustable legs.

The stove is suitable for sauna rooms sized 15–30 m<sup>3</sup> and the maximum amount of stones is 260 kg. Dimensions: width 600 mm, depth 660 mm and height 1040 mm.

Safety distances (in millimeters).





## Harvia Legend SL and Duo models

The SL models are designed for people who want to conveniently heat their sauna from another room or outside the building. The opening direction of the door can be changed, making these stoves even easier to use.

### Harvia Legend 150 SL

Recommended size of the sauna room 5–15 m<sup>3</sup>.

Maximum amount of stones 120 kg.

Dimensions: width 530, depth 730, height 740 mm.

The steel frame has adjustable legs.



### Harvia Legend 240 SL

Recommended size of the sauna room 10–24 m<sup>3</sup>.

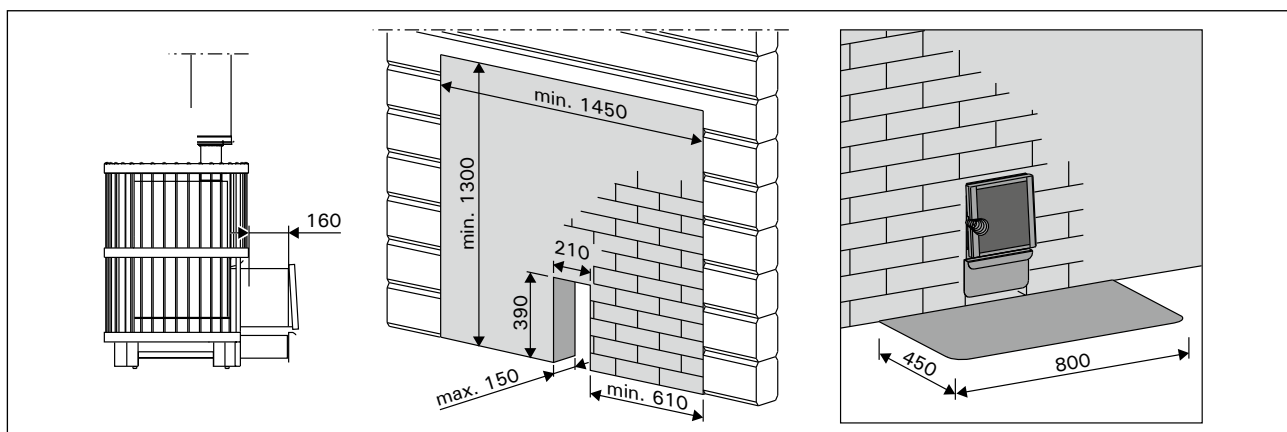
Maximum amount of stones 200 kg.

Dimensions: width 600, depth 780, height 830 mm.

The stove body and the steel frame have adjustable legs.



Installing the Legend 150 SL ja Legend 240 SL stove

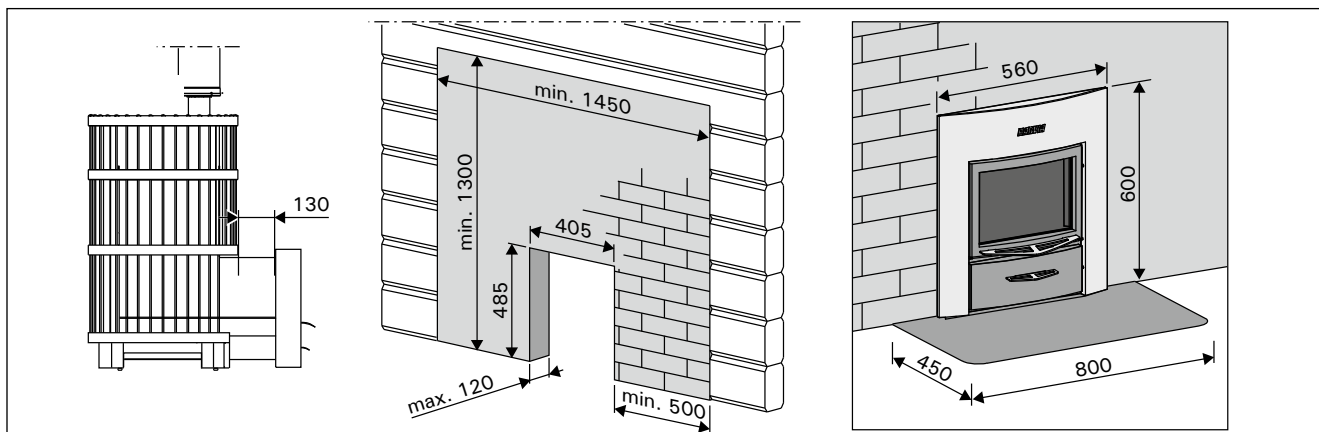


# Harvia Legend 300 Duo

Recommended size of the sauna room 15–30 m<sup>3</sup>.  
 Maximum amount of stones 260 kg.  
 Dimensions: width 600, depth 780, height 1040 mm.  
 The stove body and the steel frame have adjustable legs.



## Installing the Legend 300 Duo stove



## Connecting the stove to a masonry flue [apply to all the Legend models]. In millimeters.

	A
Legend 150	560
Legend 240	560
Legend 300	690

	X	A	B	C	D
Legend 150	180 ± 5	830	1000	1380	1570
Legend 240	200 ± 5	950	1080	1510	1640
Legend 300	210 ± 5	1140	1280	1700	1840

Local dealer: