

Harvia woodburning products

Woodburning stoves • Extra equipment for stoves • Fireplace inserts • Iron stove



HARVIA
Natural well-being.

Table of Contents

3	Natural well-being
4	Woodburning stoves
4	Stove selection guide
4	Use your furnace in an environmentally friendly way
5	Harvia M1 and M3
5	Harvia 20 Pro
5	Harvia 20 ES Pro
6	Harvia 26 Pro
6	Harvia 36
6	Harvia 50
7	Harvia Duo
7	SL and Boiler stoves
8	Harvia Classic Top – NOVELTY!
8	Harvia Classic 140 SL and 220 Duo – NOVELTY!
9	Harvia Premium – NOVELTY!
9	Harvia Premium VS – NOVELTY!
11	Harvia GreenFlame
12	Harvia Legend 150
12	Harvia Legend 240
13	Harvia Legend 300
13	Harvia Legend stoves' extra equipment – NOVELTY!
15	Other products
15	Cauldrons – NOVELTY!
15	Water heaters
15	Sauna stones
16	Protective sheath and bedding
16	Steel chimney
16	Flare smoker
16	Sauna products
18	Fireplace inserts
18	Fireplace Insert 400
18	Fireplace Insert 550 Panorama
18	Fireplace Insert 650 Panorama
19	Iron stove
14, 17, 19	Technical data



Novelty!

Harvia Classic Top

Harvia Classic Top stove takes sauna-bathers back 60 years to the time when the first woodburning Harvia stove was manufactured. Like the first Harvia stove, the Classic Top also has a cover. See p. 8.

The instructions for installation and use of all the products can be found at www.harviasauna.com/manuals.



Harvia products are designed and manufactured with the environment in mind. Sustainable choices are not only good for the environment, they are also good for people. The Harvia Cares symbol demonstrates that Harvia is committed to sustainable development.

The material of this brochure has also been selected with respect for nature. It has been pressed on paper mill M-real Äänekoski's Galerie Art Silk paper in which manufacture has been used wood from PEFC Certified forests – environmentally friendly local material.



Natural well-being.

Harvia brings quality and comfort to sauna bathing without compromising the long traditions of Finnish sauna. You can just lie back and enjoy the natural well-being of a Harvia sauna. In a Harvia sauna the essential elements of nature – wood, stone and water – combine to create a relaxing oasis of well-being.

The soft warmth of sauna offers you several health benefits: improved blood circulation and immunity, relief from muscle pain and headache, stress relief, and physical and mental relaxation.

Harvia's woodburning products give warmth and enjoyable moments, cherishing traditions. Long experience, Finnish sauna traditions and continuous, well-planned product development can be felt in every product.

We value nature and its diversity. Therefore we want to take care of its purity by developing as environment-friendly products as possible. It is easy for you to choose a product that suits your needs in the versatile woodburning product range.



Harvia woodburning stoves

Wood is a natural choice – it prepares your senses for enjoyment. Relax in the embrace of your sauna, and experience the true spirit of the sauna bath. Harvia has accrued 60 years of experience about how to provide pleasant and sufficient heat. Cherishing the Finnish sauna tradition, elegant design, and materials of high quality make the woodburning stove of Harvia the heart of your sauna.

Harvia stoves have a cast-iron fire grate and glass door. Two separate burning channels guarantee a fast heating of the sauna and a pleasant bath. The stoves must be installed on a chimney with the temperature class T600 (max. nominal chimney gas temperature of fireplace 600 °C).

From Harvia's extensive product range, using the Stove selection guide, you can choose the Harvia stove that suits your sauna best and that will guarantee you Finnish sauna enjoyment year after year. Harvia offers water heaters, cauldrons, protective sheaths, steel chimney, and smoke pipes, as well.



An example of the air and fire circulation of a Harvia stove
 1. Incoming air and fire circulation during the burning process.
 2. Air heating between the body and the outer casing.
 3. Air flow through the stone space.

! Stove selection guide

A properly built sauna room is a very important factor in getting the most out of your woodburning stove. Stove power should be selected on the basis of the size and material of the sauna. If the sauna has stone, glass or similar non-insulated surface, the stove power requirement is increased by 1.2 cubic meters for each square meter of such surface. If the interior wall of the sauna room is non-insulated log, multiply the cubic volume of sauna by 1.5.

Remember that the walls and ceiling in particular need to be very well insulated. You should also pay attention to sauna room ventilation. Efficient air circulation ensures that the bathers can enjoy clean air that is easy to breathe.

Use your furnace in an environmentally friendly way

- Start the fire on top of the fire-wood.

The most critical phase for emissions is the starting of the fire and the first stage of burning. Starting the fire on the top is proved to be the best alternative, for then the wood components gasifying due to heat from the kindlings flare up and nearly everything that gasifies also burns.



- Add wood only on top of the embers.
- Burn the right kind of wood: dry, over a year old and untreated.
- Read more tips on environmentally friendly sauna bathing at www.harviasauna.com.

Harvia M1 and M3

A stylish stove for smaller saunas.

Harvia M1/M3 has a classic design and is suitable for smaller, wood-heated saunas. It turns a sauna bath into a pleasurable experience and adds a touch of traditional sauna atmosphere. The even heat and efficient air circulation guarantee an enjoyable bath.

The Harvia M3 comes equipped with a glass door, allowing the warm glow of the fire to complement the sauna atmosphere. Harvia M1 does not have a glass door. The colour of the stove is elegant graphite black and it has a stainless steel air-flow spoiler. The stove can be equipped with a pipe model water heater.

The recommended size of the sauna room is 4.5–13 m³ and the maximum amount of stones is 30 kg.



Harvia M1

Harvia M3

Harvia 20 Pro

The source of strong heat.

Harvia 20 Pro gives a good hot bath in medium-sized saunas. It has a big stone space and an air-flow spoiler made of stainless steel. Through the cast-iron glass door the warm glow of the fire adds to the sauna atmosphere. The sturdy 10 mm fire space cover ensure durability. This model also features adjustable legs to facilitate installation and, for example, help in adjusting the height of the smoke outlet, and it can be equipped with a pipe model water heater. The outer casing of the stove is painted graphite black.

The recommended size of the sauna room is 8–20 m³ and the maximum amount of stones is 40 kg.



Harvia 20 ES Pro

A favourite for cottage saunas.

A popular choice for cottage saunas, Harvia 20 ES Pro is a practical stove that provides a good, hot sauna bath. The 20-litre water container at the front of the stove is easy to use. Water will be heated by the time your sauna is ready for bathing. There is a water faucet on the side of the stove and it can be placed on the left or right side. Through the cast-iron glass door the warm glow of the fire adds to the sauna atmosphere. The sturdy 10 mm fire space cover ensure durability. The stove features a big stone space and an air-flow spoiler made of stainless steel. The stove is also equipped with adjustable legs.

The outer casing of the Harvia 20 ES Pro stove is painted graphite black. Harvia 20 ES Pro S stove's outer casing is stainless steel.

The recommended size of the sauna room is 8–20 m³ and the maximum amount of stones is 40 kg.



Harvia 20 ES Pro

Harvia 20 ES Pro S

Harvia 26 Pro

Top-class bathing.

Harvia 26 Pro brings top-class bathing to larger saunas. The large number of stones ensures good heat even if the fire dies down. The stove features a cast-iron glass door and an air-flow spoiler made of stainless steel. The adjustable legs make the stove easy to place in the sauna. The stove can be equipped with a pipe model water heater. The outer casing of the stove is painted graphite black.

The recommended size of the sauna room is 10–26 m³ and the maximum amount of stones is 50 kg.



Harvia 36

Great baths for great crowds.

Harvia 36 is a power stove for big saunas. Its characteristics provide enough power to make bathing comfortable, even for a big crowd. The large number of stones means that you can spend more time bathing in the sauna. The heat won't run short, even if the fire dies down in the stove. The air-flow spoiler is made of stainless steel. The adjustable legs make the stove easy to place in the sauna.

The outer casing of the stove is painted graphite black. It can be equipped with a pipe model water heater.

The recommended size of the sauna room is 14–36 m³ and the maximum amount of stones is 60 kg.



Harvia 50

The king of public saunas.

Harvia 50 is the king of public saunas, and designed for really large groups. The huge amount of stones releases heat evenly into big spaces. This stove offers bathing in the true spirit of traditional Finnish sauna.

Harvia 50 is designed for use in very large public saunas. The stove is graphite black.

The recommended size of the sauna room is 20–50 m³ and the maximum amount of stones is 120 kg.



Harvia Duo

More atmosphere.

Harvia Duo is a combination of woodburning sauna stove and fireplace. Heat your sauna to bathing temperature – and enjoy the warmth of the fire at the same time. Duo enhances the traditional spirit of the sauna and gives a good, hot bath.

Harvia Duo is also very durable. The outer casing of the stove is made of high-quality stainless steel. The stove has a large, stylish steel-framed glass door. The stove can be equipped with a pipe model water heater.

Two different powers are available: **Harvia 20 Duo**: the recommended size of the sauna room is 8–20 m³ and the maximum amount of stones is 40 kg. **Harvia 36 Duo**: the recommended size of the sauna room is 14–36 m³ and the maximum amount of stones is 60 kg.



SL and Boiler stoves

Ease of use reaches a new level.

The SL models are designed for people who want to conveniently heat their sauna from another room or outside the building. The opening direction of the door can be changed, making these stoves even easier to use. SL and Boiler stoves provide great bathing in small and medium-sized saunas. Boiler stoves can be connected to a separate water tank.

All Harvia stoves for through-the-wall heating and Boiler models are equipped with a glass door to give that special feeling. The adjustable legs in 20-series make it easy to install the stove in a straight position despite floor inclination.



Harvia 20 SL

Harvia M3 SL

Harvia 20 SL Boiler
The stove has an integrated water boiler.



Harvia Classic Top

A woodburning stove with a cover.

Harvia Classic Top stove takes sauna-bathers back 60 years to the time when the first woodburning Harvia stove was manufactured. Like the first Harvia stove, the Classic Top also has a cover.

The outer casing of the stove combines stainless steel with thick, painted graphite black iron. The large stone surface area of the stove provides a festive sauna bath experience. Through the cast-iron glass door the warm glow of the fire adds to the sauna atmosphere. The opening direction of the door can be changed. The stove can be equipped with a pipe model water heater. The adjustable legs make the stove easy to place in the sauna. The stoves are available in two models: **Classic 280 Top** and **Classic 400 Top Duo**. You can heat the Duo model easily from another room and enjoy a pleasant fire while heating the sauna.

Classic 280 Top: the recommended size of the sauna room is 10–28 m³ and the maximum amount of stones is 60 kg.

Classic 400 Top Duo: the recommended size of the sauna room is 14–40 m³ and the maximum amount of stones is 80 kg.



Novelty!

Classic 280 Top



Classic 400 Top Duo



Cover closed.

The stones heat up quickly but the temperature in the sauna does not rise too high.

Cover open.

The air flows through the stove and heats the air in the sauna efficiently.

Adjust the sauna bath according to your individual taste.

The heat is soft thanks to the cover-regulated air circulation. When the cover is down, the stones heat up quickly but the temperature in the sauna does not rise too high. The stove only starts to heat the air at full capacity when the cover is opened. Throw water on the stones and enjoy the soft heat – in a desired temperature.

If the cover is open during the entire heating, the stove warms up and heats the sauna like a conventional woodburning stove.

Harvia Classic 140 SL and 220 Duo

The Classic SL and Duo models are designed for people who want to conveniently heat their sauna from another room or outside the building. The opening direction of the door can be changed. The adjustable legs make it easy to install the stove in a straight position despite floor inclination.

Classic 140 SL: the recommended size of the sauna room is 4,5–14 m³ and the maximum amount of stones is 40 kg.

Classic 220 Duo: the recommended size of the sauna room is 8–22 m³ and the maximum amount of stones is 50 kg.



Classic 140 SL

Classic 220 Duo

Novelty!

Harvia Premium

Modern design for a wood-heated sauna.

Harvia Premium is a stylish stove for medium-sized saunas. The outer casing of the stove is stainless steel. The stove can be equipped with a pipe model water heater. The adjustable legs make the stove easy to place in the sauna. Through the cast-iron glass door the warm glow of the fire adds to the sauna atmosphere. The sturdy 10 mm fire space cover ensures durability.

The recommended size of the sauna room is 8–20 m³ and the maximum amount of stones is 40 kg.



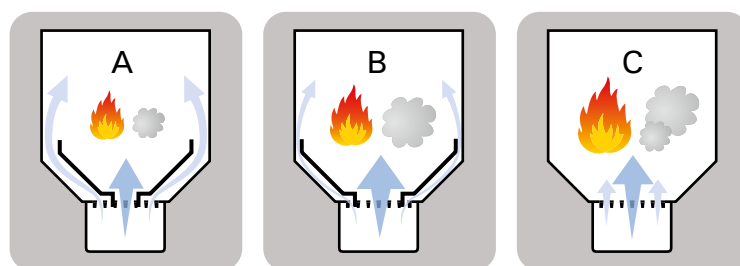
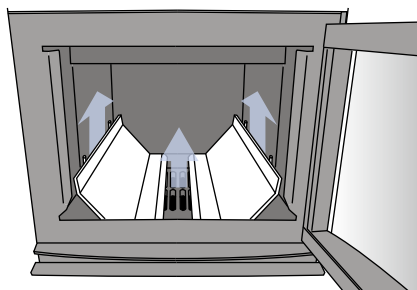
Harvia Premium VS

Stylish stove with a water container by the side.

Harvia Premium VS is a good choice for a cottage sauna, as it has a fair-sized water container (30 l) by the side of the stove. Water heats up at the same time as the stove warms the sauna ready for bathing. Water faucet is in the front and it is possible to change the handedness of the water container.

The outer casing of the stove is stainless steel. The adjustable legs make the stove easy to place in the sauna. Through the cast-iron glass door the warm glow of the fire adds to the sauna atmosphere. The sturdy 10 mm fire space cover ensures durability.

The recommended size of the sauna room is 8–20 m³ and the maximum amount of stones is 40 kg.



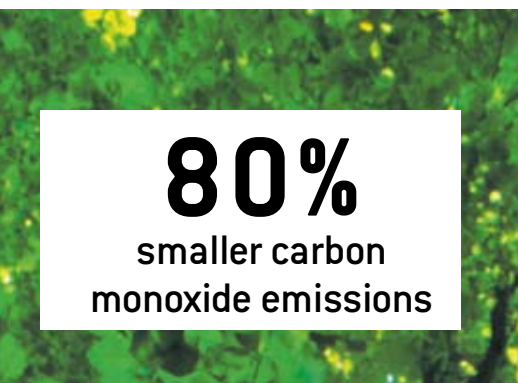
The fire chamber of Harvia Premium stoves has a modern **grate structure** that divides the combustion air. Part of the air is led to the upper part of the fire chamber. This way the burning is more efficient and cleaner. Legend stoves have the same grate structure (p. 12–13).

The combustion air channels rest on the grate's gaps. You can regulate the air flow by adjusting the channels.

- A) The best burning efficiency, the least emissions, the least strain on the stove, the longest heat-up time.
- B) Shorter heat-up time, requires more wood and causes more emissions.
- C) The shortest heat-up time, requires the largest amount of wood and generates the most emissions (combustion air channels removed).



Clean by nature, fiery by soul.



80%
smaller carbon
monoxide emissions



25%
smaller wood
consumption



100%
longer
operating life

Harvia GreenFlame

Woodburning stove with the lowest emissions in the world.

The Harvia GreenFlame is an ecological woodburning stove. The GreenFlame causes less strain to the environment: studies show that its carbon monoxide emissions are 80 % smaller, wood consumption is 25 % smaller, and operating life 100 % longer than ordinary woodburning stoves. There is also considerably less particulate emission than in an ordinary woodburning stove. The GreenFlame combines an ecological sauna bath with modern design.

The lids of the soot opening of the GreenFlame stove are ceramic glass, allowing the warm glow of the fire to be seen between the stones. This small but substantial invention complements the atmosphere in the woodburning sauna in a whole new way! The stove can be equipped with a pipe model water heater.

The recommended size of the sauna room is 8–18 m³ and the maximum amount of stones is 40 kg.

The product is patented and it is tested by the Technical Research Centre of Finland, VTT (Certificate no. VTT-C-3710-09).



The patented control automation of the GreenFlame directs the air needed for burning to the right place at the right time. Wood burns longer and cleaner, and the burning efficiency stays extremely high. The body of the fire chamber is cooled with the incoming combustion air, making GreenFlame a long-lasting stove.



1. Adjust the control automation.
2. Light the fire.

The fuel lights. Control automation feeds air to the fire chamber from underneath the grate, which improves the ignition of the fuel.

The stove heats up. Control automation directs air to the upper part of the fire chamber. Now also the flue gases burn efficiently.

The fuel has burned to the end and stove cools off. Control automation closes the air input channels that the heat would stay long in the stove.



Harvia Legend series

The Harvia Legend woodburning stoves give you the ultimate sauna experience. The black steel frame has a mighty amount of stones inside, and as they heat up, you get a magnificent sauna bath even at a lower temperature. The large number of stones ensures good heat, even if the fire dies down in between.

The Legend stoves have a modern fire grate structure that enables the wood to burn more efficiently and cleanly (see page 9). The smaller than usual safety distances from the side and back surfaces to combustible materials enable you to locate the benches more freely. The Legend stoves can be equipped with a pipe model water heater.

The **Legend SL and Duo** models are designed for people who want to conveniently heat their sauna from another room or outside the building. As **extra equipment for the Legend stove** are available smoke pipe cover and protective sheath and bedding.

Harvia Legend 150

The Harvia Legend 150 offers a comfortably moist sauna bath for a smaller sauna. The stove is a treat for the eye and for the sauna bather. The Harvia Legend 150 is equipped with a cast-iron glass door, allowing the warm glow of the fire to complement the sauna atmosphere. The adjustable legs make the stove easy to place in the sauna.

The recommended size of the sauna room is 5–13 m³ and the maximum amount of stones is 120 kg.



Legend 150 SL



Harvia Legend 240

The Harvia Legend 240 is an excellent choice for a medium-sized sauna. It is equipped with a cast-iron glass door, allowing the warm glow of the fire to complement the sauna atmosphere. The adjustable legs make the stove easy to place in the sauna.

The recommended size of the sauna room is 10–24 m³ and the maximum amount of stones is 200 kg.



Legend 240 SL



Harvia Legend 300

The Harvia Legend 300 gives a mighty bath for medium-sized and large saunas. The stove comes with a large and stylish steel-framed glass door. The fair-sized fire chamber can take even bigger firewood, with the maximum length of 47 cm. The adjustable legs make the stove easy to place in the sauna.

The recommended size of the sauna room is 15–30 m³ and the maximum amount of stones is 260 kg.



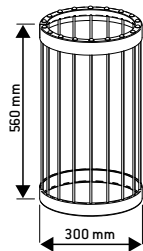
Legend 300 Duo



Harvia Legend stoves' extra equipment

Legend smoke pipe cover

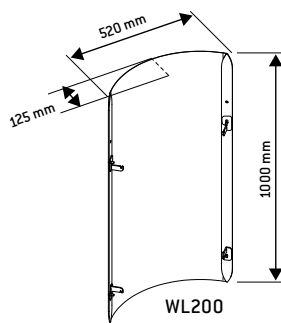
Legend woodburning stove can be equipped with a stone-filled smoke pipe cover. When the smoke pipe cover is used, the safety distance of the smoke pipe is made noticeably shorter, as the heat radiation is for mostly stored in the stones. The product is both elegant and practical, as water can be thrown onto a much larger area. The product can be used in all Legend woodburning stoves and with Harvia steel chimney. Stone amount ca 40 kg.



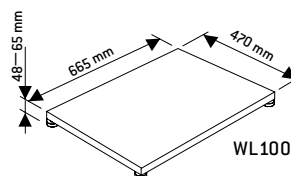
WL300
Registered design
(UCD).

Legend protective sheath and bedding

Legend protective sheath makes the safety distances of the stove considerably shorter. The number of protective sheath elements mounted can range from 1 to 3 as required. The protective sheaths allow the safety distance to be reduced to half on all protected sides. The product can be used with all woodburning Legend stoves. The sheath is made of black painted metal sheet. Weight 6,7 kg.



WL200
Registered design
(UCD).



WL100



Legend protective bedding is made of aluminium-zinc-coated steel sheet which is painted black. The protective bedding is used, for example, when the stove is installed on a tile floor with a water barrier treatment. Weight 8,5 kg.

Complete the interior of your sauna with the Legend glass door and sauna light that match the Legend stove series visually.

Legend glass doors' frames are black tinted pine and the door handle is black painted hardwood. The glass colour alternatives are: clear, bronze, smoky grey and satin. The Legend glass door is available in all standard sizes (7 x 19, 8 x 19, 9 x 19, 8 x 21 and 9 x 21). Legend door is available also with black painted aluminium frame.

Legend sauna light is black painted. Measurements 230 x 180 mm (width x height). The package includes both lamp and lamp shade. Protection level IP44, bulb E14 (max. 40 W) not included in delivery.



Legend glass door

Novelty!



Legend sauna light

Woodburning stoves

Product	Power kW	Recommended sauna room size min-max m ³	Dimensions (W x D x H) mm	Adjustable height ca mm	Weight ca kg	Stone space max. kg *	Fire space-cover mm	Diameter of smoke outlet mm	Location of smoke outlet mm (pictures 1 and 2)			Alternatives for chimney hole location (pictures 3-6)			
									A	B	C	Picture 3 A	Picture 4 A	Picture 5 A	Picture 6 A
Harvia M1/M3	13	4,5-13	390 x 430 x 710		45	30	5	115	560	640	120	830	1000	1380	1570
Harvia 20 Pro	18	8-20	430 x 510 x 760	+30	60	40	10	115	560	670	120	850	980	1410	1540
Harvia 20 ES Pro	18	8-20	430 x 650 x 760	+30	75	40	10	115	560	670	120	850	980	1410	1540
Harvia 26 Pro	22	10-26	430 x 510 x 810	+30	65	50	6	115	690	750	130	930	1070	1490	1630
Harvia 36	30	14-36	510 x 510 x 810	+30	70	60	6	115	680	750	130	930	1070	1490	1630
Harvia 50	40	20-50	510 x 720 x 1050		160	120	10	140	890	1090	130	1230	1370	-	-
Harvia Classic 280 Top	22	10-28	485 x 520 x 930	+30	80	60	6	115	690	750	135	1050	1210	1590	1750
Harvia Premium	18	8-20	445 x 530 x 780	+30	65	40	10	115	560	670	120	850	1020	1400	1590
Harvia Premium VS	18	8-20	590 x 530 x 780	+30	70	40	10	115	560	670	120	850	1020	1400	1590
Harvia GreenFlame	18	8-18	445 x 530 x 800	+30	70	40	10	115	560	660	120	850	1020	1400	1590
Harvia Legend 150	13	5-13	530 x 530 x 740	+30	58	120	5	115	560	640	180 ± 5	830	1000	1380	1570
Harvia Legend 240	18	10-24	600 x 600 x 830	+30	75	200	10	115	560	670	200 ± 5	950	1080	1510	1640
Harvia Legend 300	24	15-30	600 x 660 x 1040	+30	94	260	6	115	690	750	210 ± 5	1140	1280	1700	1840

*) The amount of stones varies depending on the consistency and shape of the stones as well as how they have been piled. Harvia recommends stones 10-15 cm in size for woodburning stoves.

Safety distances for the stoves

The safety distance from combustible materials:

- 500 mm to the sides and back. A space of one meter must be left in front of the stove for the user. Legend stoves' safety distances are 210 mm to the sides and 250 mm to back.
- 1200 mm upwards. Legend stoves' safety distance upwards is 1000 mm.

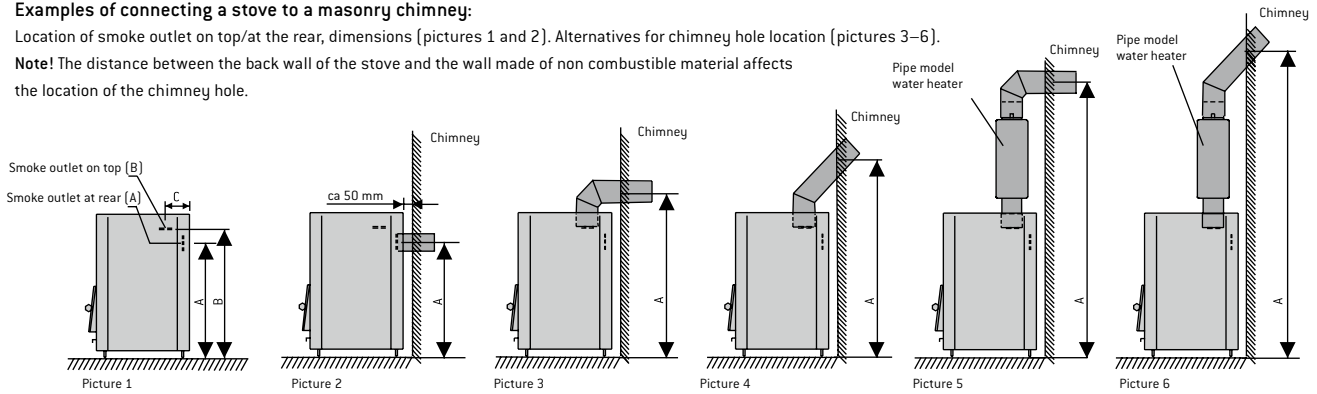
The wooden floor under the stove must be protected by at least 60 mm of concrete or protective bedding and sheath. See page 17.

Note! The safety distance for the non-isolated smoke pipe is 1000 mm. If you have questions regarding the safety distances, contact for example your local fire inspector.

Examples of connecting a stove to a masonry chimney:

Location of smoke outlet on top/at the rear, dimensions (pictures 1 and 2). Alternatives for chimney hole location (pictures 3-6).

Note! The distance between the back wall of the stove and the wall made of non combustible material affects the location of the chimney hole.

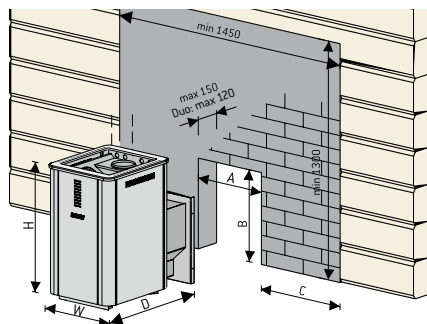


Duo, SL and Boiler stoves

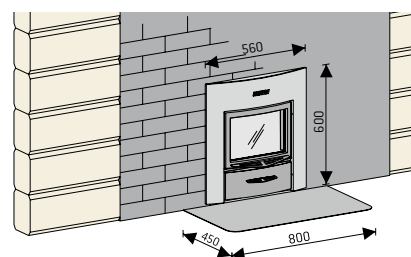
Product	Power kW	Recommended sauna room size min-max m ³	Dimensions (W x D x H) mm	Adjustable height ca mm	Weight ca kg	Stone space max. kg *	Fire space-cover mm	Diameter of smoke outlet mm	Size of installation hole mm		Safety distance mm min C
									A	B	
Harvia M3 SL	13	4,5-13	390 x (430 + 220) x 710		50	30	5	115	210	390	590
Harvia 20 SL	18	8-20	430 x (510 + 220) x 760	+30	70	40	10	115	210	390	610
Harvia 20 Boiler	18	8-20	430 x 510 x 760	+30	65	40	10	115			
Harvia 20 SL Boiler	18	8-20	430 x (510 + 220) x 760	+30	75	40	10	115	210	390	610
Harvia 20 Duo	18	8-20	430 x (510 + 280) x 760	+30	80	40	10	115	405	485	515
Harvia 36 Duo	30	14-36	510 x (510 + 280) x 810	+30	80	60	6	115	405	485	555
Harvia Classic 140 SL	13	4,5-14	445 x (470 + 210) x 770	+30	54	40	5	115	210	390	620
Harvia Classic 220 Duo	18	8-22	475 x (515 + 280) x 800	+30	80	50	10	115	405	485	535
Harvia Classic 400 Top Duo	30	14-40	560 x (520 + 230) x 960	+30	110	80	6	115	405	485	580
Harvia Legend 150 SL	13	5-13	530 x (530 + 200) x 740	+30	62	120	5	115	210	390	530
Harvia Legend 240 SL	18	10-24	600 x (600 + 180) x 830	+30	82	200	10	115	210	390	405
Harvia Legend 240 Duo	18	10-24	600 x (600 + 180) x 830	+30	95	200	10	115	405	485	310
Harvia Legend 300 Duo	24	15-30	600 x (660 + 120) x 1040	+30	99	260	6	115	405	485	310

*) The amount of stones varies depending on the consistency and shape of the stones as well as how they have been piled. Harvia recommends stones 10-15 cm in size for woodburning stoves.

Installing Duo and SL stoves



Duo stoves

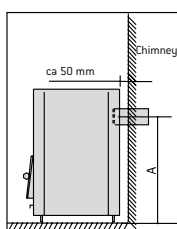


Harvia cauldrons

Harvia cauldrons are designed for heating larger amounts of water, mostly in cottage settings. They add a genuine Finnish cottage sauna atmosphere. You can choose your traditional sauna cauldron from two different models according to your water needs, either 50 or 80 litres. The durable, stainless steel inner cauldron can easily be removed for cleaning.

Thanks to the structure of the 50-litre cauldron fire chamber, the burning process is smooth and the heat is distributed directly under the inner cauldron. The water is heated up efficiently in this way. The replaceable fire chamber makes the product long-lasting. The traditional vermiculite insulation of the 80-litre cauldron keeps the outer surface cooler. The outer casing of the Harvia cauldron 50 L is made of stainless steel. The outer casing of the Harvia cauldron 80 L has been painted black.

The safety distances of the cauldrons from combustible materials are 1000 mm up for both cauldrons, and to the sides and back: 250 mm for the 50 L cauldron, and 150 mm for the 80 L cauldron. The wooden floor under the cauldron must be protected by at least 60 mm of concrete or Harvia protective bedding.



Novelty!



Harvia cauldron 50 L

Measurements:
435 x 500 x 770 mm
(W x D x H), weight 36 kg.
Diameter of smoke outlet
115 mm.
Location of smoke outlet
centre point, from floor (A):
580 mm.
Adjustable legs +30 mm.



Harvia cauldron 80 L

Measurements:
590 x 590 x 740 mm
(W x D x H), weight 75 kg.
Diameter of smoke outlet
145 mm.
Location of smoke outlet
centre point, from floor (A):
530 mm.

Harvia water heaters

Pipe model water heater

The water tank of the pipe model (22 l) is mounted directly onto the stove. The water heats up quickly because the pipe going through the tank functions as a wall of the water tank. Fits to all Harvia woodburning stoves except Harvia 50.

Electric water heater

Harvia's electric wall-mounted water heater is efficient and easy-to-use. It is designed for places where no hot, pressurised water is available, such as summer cottage kitchens, public rest cabins and hostels. The tank has a capacity of 27 litres. The water is heated by the heating element located at the bottom of the tank, the electrical capacity of which is 1800 W. The temperature can be regulated with the thermostat. The fuse is 10 A. The electric water heater is easy to clean.



Pipe model water heater

Capacity: 22 l.
Measurements:
355 x 190 x 410 mm
(W x D x H).



Electric water heater

Capacity: 27 l.
Measurements:
420 x 210 x 400 mm
(W x D x H).

! Harvia sauna stones

Original Harvia sauna stones have been selected with respect to the old traditions and they provide a good, hot bath. Massive, split-face sauna stones are the only proper choice for all woodburning stoves and electric heaters, because they can store lots of heat and water evaporates efficiently from the wide surface of fracture. Angular split-face stones also allow loose placement of the stones.

Harvia sauna stones are available in two sizes. Stones in the range of 10 to 15 cm are suitable for the woodburning stoves and the heat-storing heaters such the Symphony and Forte. Smaller sauna stones in the range of 5 to 10 cm are suitable for electric heaters.



Harvia recommends stones 10–15 cm in size for woodburning stoves.

Other products

Protective sheath and bedding

Harvia has designed a durable and safe protective sheath for the fireplace, which reduces the safety distance significantly. The protective sheath efficiently prevents the effects of direct heat on combustible materials.

The sheath is made of aluminium-zinc-coated steel sheet. Its temperature does not rise above 80 °C during normal use, so it can be mounted horizontally as little as 50 mm from combustible wall materials. The settling of log wall is not a problem when using a protective sheath. The protective bedding is used, when, for example, the fireplace is installed on a tile floor with water barrier treatment. If the fireplace is installed on a wooden floor with the protective bedding, a protective sheath must be used as well. See more on the instructions for installation and use of the product.

The Harvia protective sheath is approved for the following Harvia products:

Sauna stoves: M series, 20 Pro series, Premium, GreenFlame

Iron stove: Harvia 10



Note! The floor in front of the fireplace must be protected. See page 17 for more information.

Harvia steel chimney

The Harvia steel chimney is an easy to install stylish chimney solution. The steel chimney withstands extensive changes in temperature and has mainly been designed for use with woodburning stoves, smaller fireplaces, and iron stoves in detached sauna buildings. Since the outer casing and inner tube are made out of stainless steel, the product is durable and maintains its appearance.

The standard delivery of the steel chimney includes a 1,5 m steel chimney (WHP1500) and a utility box with a rain cap, a rubber rain flange and an installation set for rain flange, a stainless steel lead-through flange for the ceiling and a lead-through insulation. The package also includes a 1 m long non-isolated smoke pipe. Supplementary parts of 0,5 m (WHP500) and 1,0 m (WHP1000) are available as accessories for this stainless steel chimney. Thanks to an ingenious mechanism, the supplementary parts are wound together and the smoke pipes are also equipped with slots to lock

them together. This prevents movement caused by temperature changes. Indoors, the chimney can be installed up to a height of 3 meters without support and outdoors the corresponding self-supported installation height is 2 m.

The rated maximum temperature of combustion gases for a furnace connected to a steel chimney is 600 °C. The external diameter of the steel chimney is 220 mm and the diameter of the smoke pipe is 115 mm. The safety distance to inflammable materials is 100 mm. The Harvia steel chimney has a CE-marking, so the product complies with all international fire- and operational safety requirements. The steel chimney is sootfire proof. **Read the instructions for installation of the steel chimney and the attached furnace carefully.**



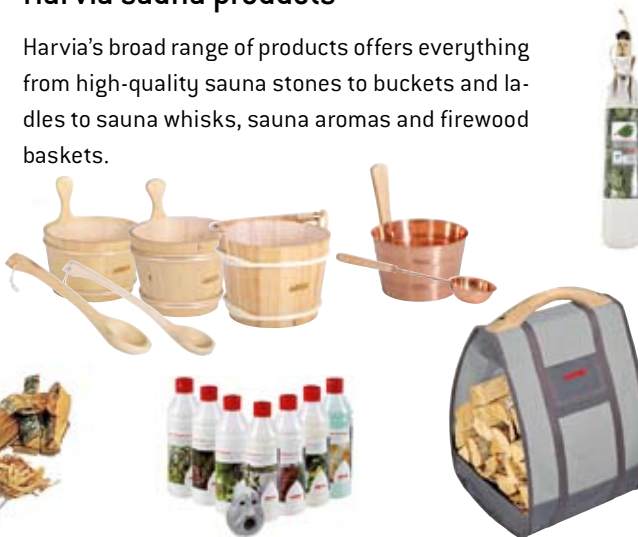
Harvia flare smoker

A flare smoker is a convenient and versatile addition to your summer kitchen; you can use it to grill, steam or smoke, for example, salmon and other fish – cleanly, easily and quickly. The smoker is mainly made of stainless steel. All the grills are chrome-plated and can be washed normally. The smoker comes with a heat conductor, fat separator, smoking grills, handles and a flare grid with holders. A frying pan is also available as an accessory.

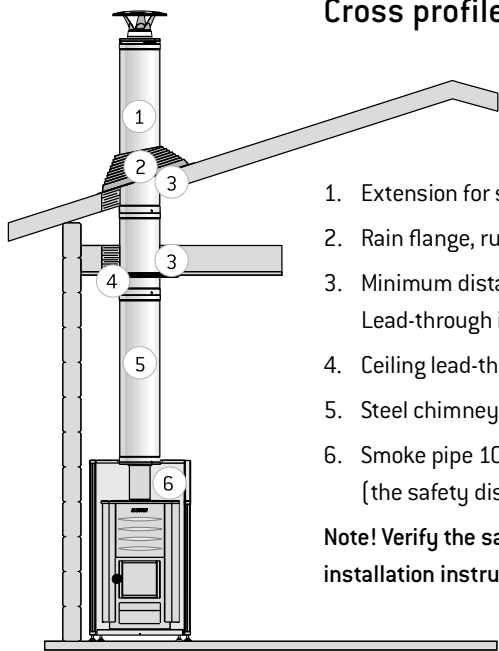


Harvia sauna products

Harvia's broad range of products offers everything from high-quality sauna stones to buckets and ladles to sauna whisks, sauna aromas and firewood baskets.



Cross profile of the steel chimney installation



1. Extension for steel chimney, 1000 mm (WHP1000)
2. Rain flange, rubber
3. Minimum distance from combustible structures 100 mm.
Lead-through insulation included in the standard delivery.
4. Ceiling lead-through flange
5. Steel chimney 1500 mm (WHP1500)
6. Smoke pipe 1000 mm, shortened according to purpose of use
(the safety distance from combustible materials 500 mm)

Note! Verify the safety distances required for the furnace from the installation instructions.

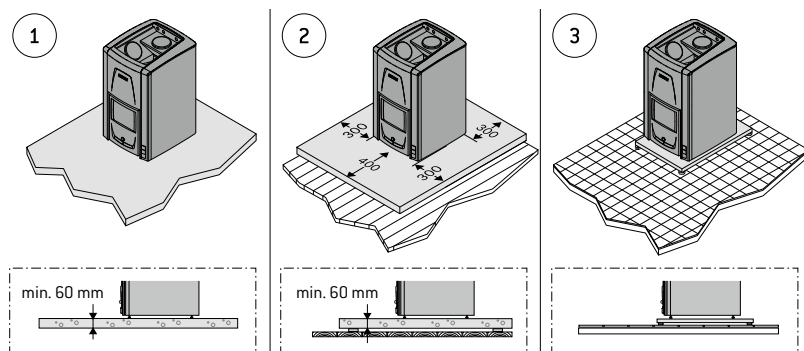
Smoke pipes

Smoke pipes made of painted or stainless steel are available for all Harvia woodburning stoves (except for Harvia 50) and for Harvia 10 iron stove.

<p>Smoke pipe 0,2 m WZ020ST</p> <p>Stainless steel 0,7 mm</p> <p>Smoke pipe 0,5 m WZ050/ST</p> <p>Smoke pipe 1 m WZ100/ST</p> <p>Painted steel 1,5 mm Stainless steel 0,7 mm</p>	<p>Angle pipe 45° WZ45/ST</p> <p>Chimney</p> <p>Stove ca 50</p> <p>Painted steel 1,5 mm Stainless steel 0,7 mm</p>	<p>Angle pipe 90° WZ90/ST</p> <p>Chimney</p> <p>Stove ca 50</p> <p>Painted steel 1,5 mm Stainless steel 0,7 mm</p>	<p>Joint 0-90° WZ90N</p> <p>Painted steel 1,5 mm</p>	<p>Reducing pipe 120/115 WZ115Z5</p> <p>Radiation cover WZ020130</p> <p>Lead-through flange for the smoke pipe WZ020115</p> <p>Stainless steel 0,7 mm</p>	<p>Damper plate WZ115030SP</p> <p>Rain cap WZ030115</p> <p>Masonry connector *) WZ011115</p> <p>Stainless steel 0,7 mm</p>
---	---	---	---	--	---

*) The masonry connector is connected to the flue opening and does not require other seals – easy and clean. The inner side has a seal in both ends. The masonry connector can be used in the back and upper connection.

Protecting the floor



1. Concrete floor without tiles. The stove can be installed on a concrete floor without any specific safety measures, if the concrete is at least 60 mm thick. Make sure that there are no wires or water pipes in the concrete cast below the stove.
2. Floor made of inflammable material. Protect the floor with at least 60 mm thick slab of concrete. The slab must extend to a distance of 300 mm from the stove on the sides and behind (unless the stove is next to a wall) and at least 400 mm in front of the stove. The slab should be supported slightly above the floor surface to keep the floor material dry. You can also use the Harvia protective sheath and bedding.
3. Tile floor. The floor glues and plasters and waterproof materials used below the tiles are not resistant to the heat radiation of the stove. Protect the floor with the Harvia protective bedding or similar heat radiation protection.



Harvia fireplace inserts

Enjoy the relaxing and peaceful atmosphere; the glow and soothing warmth of the fire and the scent of burning wood. Harvia fireplace inserts add to the atmosphere and deliver more warmth to everyday living. Fireplace inserts have a good, durable heart. They are suitable for both old and new open brick fireplaces and significantly increase heating efficiency. Consider the space, style and intended use and then choose the most suitable solution from our range of models.

Harvia Fireplace Insert 400

Fireplace Insert 400 may look small, but it's big in terms of characteristics. This insert is at its best in spaces that need a compact and efficient heat source. The insert can be installed in both old and new open fireplaces. The ceramic glass door provides light and atmosphere. The fire chamber has a strong fire-brick lining. Power 5 kW/10–50 m³.



Harvia Fireplace Insert 550 Panorama

Fireplace Insert 550 Panorama is a strong and durable fireplace that adds atmosphere to houses, cottages or sauna rooms. It is ideal for places that call for a small but efficient heat source. The insert can be installed in small open fireplaces, both old and new. The tight ceramic panorama glass door enhances the feel of real fire. Power 8 kW/15–65 m³.



Harvia Fireplace Insert 650 Panorama

Fireplace Insert 650 Panorama suits both old and new open brick fireplaces. It significantly improves the heating characteristics of a normal open fireplace. While saving on heating costs, you also get the desired temperature faster than before. Thanks to tight door and efficient air control, only the amount of air actually needed for combustion is conducted into the chamber. The large fire chamber is made of strong cast-iron. Power 12 kW/20–200 m³.



Harvia 10 iron stove

An iron stove is an excellent heat source for holiday houses, sauna cabins and forest cabins. It's warm on the inside and you can even use it to make a quick cup of coffee.

The entire fire chamber and cooking area of Harvia 10 are made of strong cast-iron that retains heat very well. Thanks to its convenient size, it is also easy to place. The durable, cast-iron door with ceramic glass is standard equipment on the iron stove. There is a convenient storage space in the bottom of the stove. Power 10 kW/20–200 m³.



Technical data

Fireplace inserts

	Fireplace Insert 400	Fireplace Insert 550 Panorama	Fireplace Insert 650 Panorama
Rated power kW	5	8	12
Heating power, air m ³	10–50	15–65	20–200
Dimensions (W x D x H) mm	510 x 430 x (410 + 70)	540 x 480 x (410 + 50)	670 x 540 x 490
Weight kg	40	50	90
Diameter of smoke outlet mm	136	136	136
Location of the smoke outlet centre, distance from the back mm	160	135	143
Safety distances mm			
• to the sides and rear	500	500	500
• upwards	600	600	600
Installation hole size mm *)			
• height	420–440	420–440	500–530
• width	420–440	490–520	640–660
• depth	min. 410	min. 320	min. 380
Fire chamber	Steel, brick casing	Steel, brick casing	Cast-iron
Cast-iron fire grate	No	No	Yes
Ash box	No	No	Yes

*) The fireplace insert is easy to install, because no connection pipes are needed. Install the fireplace insert according to the measurements given in instructions for installation. Tighten carefully gap between the fireplace insert and fireplace with insulation wool to prevent blow-by.

Iron stove

	Harvia 10 iron stove
Rated power kW	10
Heating power, air m ³	20–200
Dimensions (W x D x H) mm	360 x 570 x 750
Weight kg	85
Smoke outlets (on top, at the rear, at the sides) pcs.	4
Diameter of smoke outlet mm	115
Locations and distances of smoke outlet centre points mm	
• at the rear in the middle, distance from the floor	650
• at the top in the middle, distance from the rear edge	150
• distance from the rear edge	120
• to the sides, height from the floor	650
Safety distances to combustible material structures mm	
• front surface	1000
• side and rear surface	500
• cooking area	1000
• base	0

All Harvia furnaces have an accurate combustion system designed by Harvia, which ensures that the fire burns efficiently and economically. You can burn fuels such as wood, peat briquettes, fuel pellets and combustible household garbage in the fire chamber.

Note! The floor in front of the fireplace must be protected. The product comes with detailed instructions for installation and use. You can also go to www.harviasauna.com/manuals where you can find instructions and dimensional drawings.

Harvia – The many stories of sauna.

The warmth of the sauna attracts us for different reasons. Sauna helps us to relax, to have a good time in good company, or simply to take a moment to ourselves. The comforting warmth of the sauna comes in many forms – in the traditional Finnish wood-heated sauna, the urban city home bathroom sauna, or the modern infrared cabin. We can enjoy sauna in summer as well as winter, in everyday life, or to celebrate special occasions. Sauna can tell many stories.

The Harvia story is unique as well. The company founded in 1950 by Tapani Harvia (1920–1998) has expanded over the decades from a small artist's forge into one of the world's leading sauna heater manufacturers and a forerunner in the sauna business. Behind the success story stands a determined and skillful inventor who forged his business idea and expertise into the shape of a sauna stove. Harvia has remained a Finnish family enterprise and the Harvia companies now employ 300 people. Products are exported globally.

Harvia has developed an extensive range of sauna products for the needs of different bathers. Harvia can provide everything you need in your sauna. Besides sauna heaters, Harvia manufactures saunas, sauna interiors, bathroom saunas, infrared cabins, steam generators, and sauna accessories. The company is firmly focused on product development and the challenges of the future. Harvia wishes to offer the relaxing warmth of the sauna to as many people as possible – just the way they want it.



Local dealer:

HARVIA
Natural well-being.

Contact information:

Harvia Ltd., P.O. Box 12, FI-40951 Muurame, FINLAND
Tel. +358 207 464 000, Fax +358 207 464 090
harvia@harvia.fi, www.harviasauna.com